

# IMPERIAL

## High Level Flush Pipe Kit



**Important Information:**

Please check the products for transport damage and that contents are complete before installation.

Consult a qualified plumber if you have any problems installing this product.

Complaints made following installation regarding the above cannot be accepted.

Thank you for purchasing this Imperial product.

These instructions relate to our close coupled, high level and low level toilets.

Before you start check you have the necessary tools for installation.

### Before you begin:

- ⚠ Always handle our products with care and attention. Ceramic products are brittle, and may chip, crack or break if not handled carefully. Broken ceramic is extremely sharp.
- ⚠ Take care not to over tighten screws and fittings. Over tightening may lead to breaks or chips in the ceramic.

Before installing the product, please inspect for damage incurred during transport. Imperial can not take responsibility for damaged products after or during their installation.

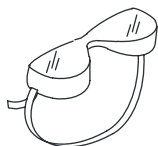
We recommend that the guidance of a qualified plumber is sought throughout the installation process.

Always observe the plumbing and building regulations in the area the product is being installed in.

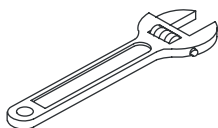
Imperial reserves the right to amend the design of its products without notice, as specified in the company catalogue.

### Tools and Fittings:

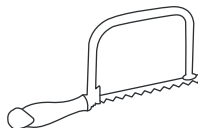
The following tools are necessary for the installation of this product. Imperial would once again recommend that a qualified plumber carry out the installation of this product.



Goggles



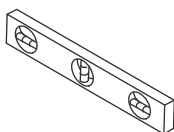
Spanner



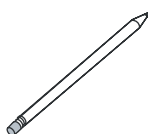
Hacksaw



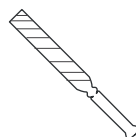
Hand Held Drill



Spirit Level

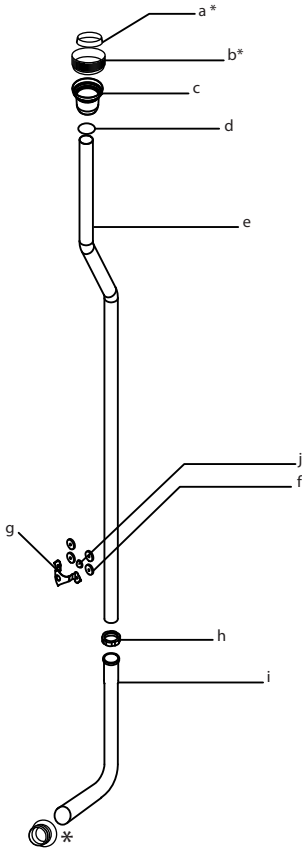


Pencil

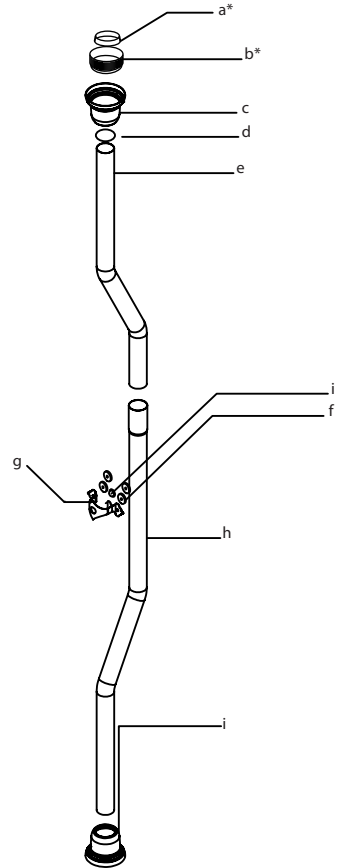


File

Install Pan As Directed In Installation Instructions Provided With The Ceramic Product.



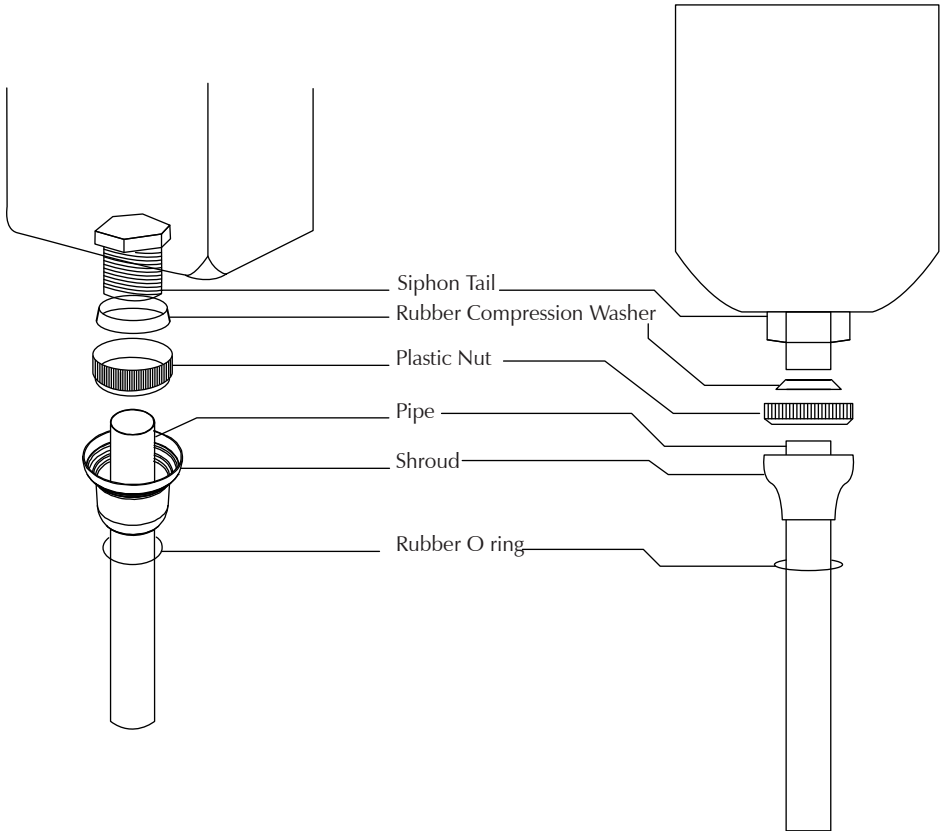
	Parts	qty
a	Rubber Washer	X1
b	Plastic Nut	X1
c	Shroud	X1
d	Rubber O ring	X1
e	Upper Pipe	X1
f	Rubber Washer	X4
g	Metal Bracket	X1
h	Metal Nut	X1
i	Lower Pipe	X1
j	Rubber Buffer	X1



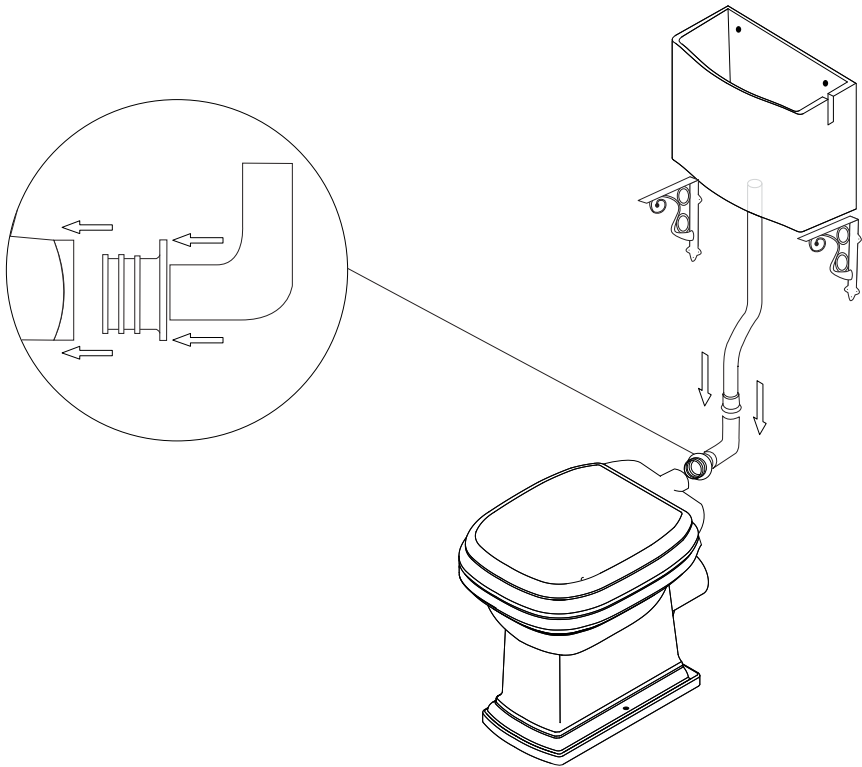
	Parts	qty
a	Rubber Washer	X1
b	Plastic Nut	X1
c	Shroud	X2
d	Rubber O ring	X1
e	Rubber Component	X1
f	Rubber Washer	X4
g	Domed Metal Bracket	X1
h	Lower Pipe	X1
i	Rubber Buffer	X1

\* supplied with siphon pack

Install cistern and fittings as described in ceramic installation instruction. Assemble the components onto the top pipe as shown below and tighten the plastic nut onto the siphon.



If necessary the pipe can be trimmed to suit. If trimming please ensure that a suitable saw is used and all burrs are carefully removed with a file.



After assembling the cistern and the pipe please connect the cistern to the pan by doing the following.

- 1) Push the plastic grommet into the rear of the pan.
- 2) Carefully insert the pipe taking care not to push it in too far.
- 3) Pushing the pipe into the pan too far can impede the flow of water and result in poor flushing performance.
- 4) Operate the flush a few times and check for leaks.
- 5) This completes the installation of your High Level WC pan

Install the cistern and fittings as directed in ceramic instructions.

Install pipe to cistern as described previously.

Assemble the translucent plastic (neoprene) grommit with the black donut shaped sealing gasket.

insert the grommit from the flat side of the gasket so that the largest flange locates firmly on the rebate inside the gasket

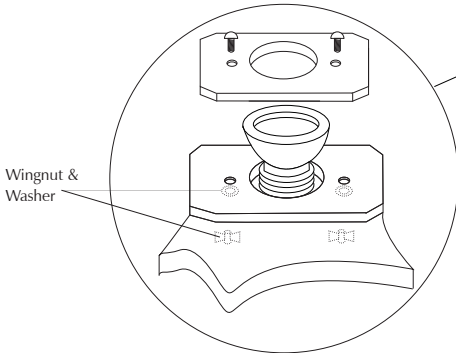
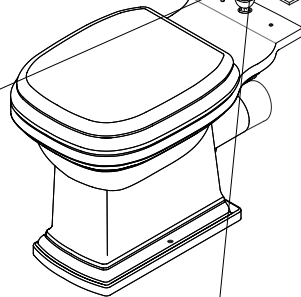
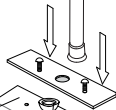
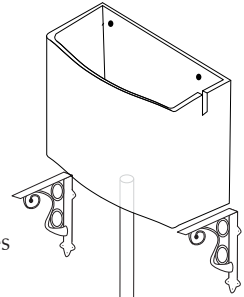
Insert the end of the flushpipe through the decorative shroud and then through the centre hole located on the top of the ceramic cover plate.

Then insert the flush pipe through the plastic grommit from the flat side of the sealing gasket.

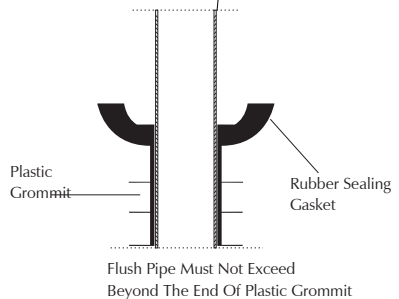
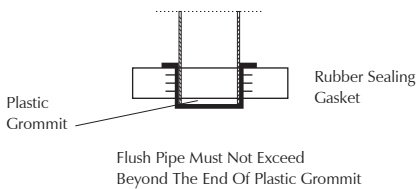
Do not push the flushpipe beyond the end of the three exposed flanges of the grommit. To do so will affect the water flow (i).

Secure the cover plate over the pipe and gasket assembly using the decorative bolts and wing nuts supplied. Care should be taken not to over-tighten the wingnut (ii).

The decorative shroud should be fixed in position on the ceramic cover plate of the pipe.



### \*Astoria Deco diagram



\* If fitting Astoria Deco L/L or H/L use alternative diagram.

